

PS2DEC Keyboard & Mouse Converter

SALEM AUTOMATION INCORPORATED

4500 Indiana Ave., Suite 40
Winston-Salem, NC 27106

Phone: 336-661-0890
Fax: 336-661-9575

Functionality

PS2DEC Keyboard & Mouse Converter is designed to allow direct interface of a standard PC 101 PS2 style keyboard and PC PS2 mouse to a VAXStation. VGA to RGB conversion cable is available as part of the conversion.

Some DEC function keys are non-existent on the PC 101 keyboard. These keys are remapped using a combination of Shift and Function key to provide DEC LK functionality. See the user manual for additional information.

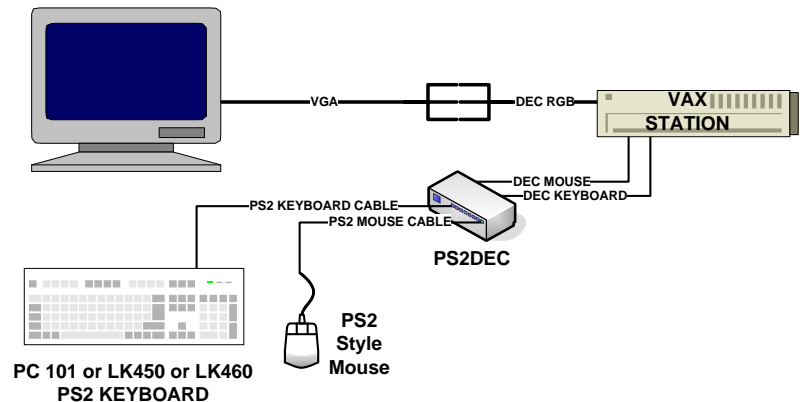
For more information and pricing contact:

Chuck Graham 336-661-0890 x 106

cwgraham@SalemAutomation.com

http://www.winvms.com/images/PS2DEC_Users_Manual.pdf

PS2DEC Converter Configuration



Features:

- ◆ Enables VAXStations to use a modern VGA monitor, PS2 Mouse and a PS2 style keyboard. All buffering and signal conversion is handled by the PS2DEC converter.
- ◆ Allows capability to connect DEC Style LK-450 / LK 460 Alpha workstation PS/2 keyboards to a VAXStation to continue to provide DEC style keyboards that are supportable and readily available.
- ◆ Cables for VAXStation connections are provided. No external power supply required.



Salem Automation
System Integration